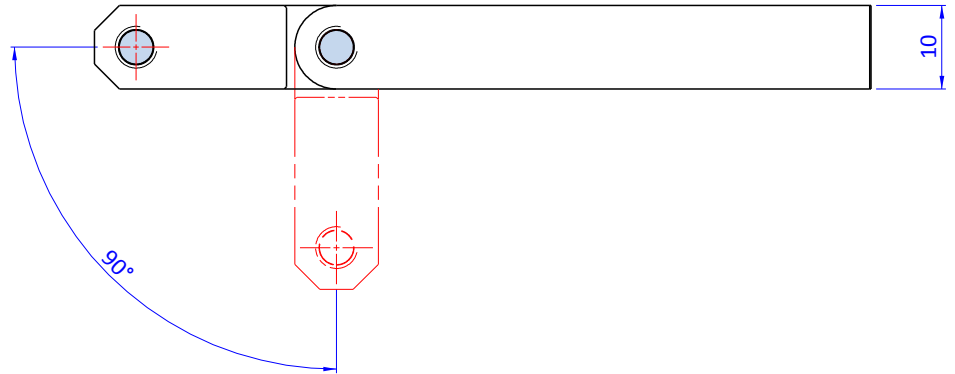
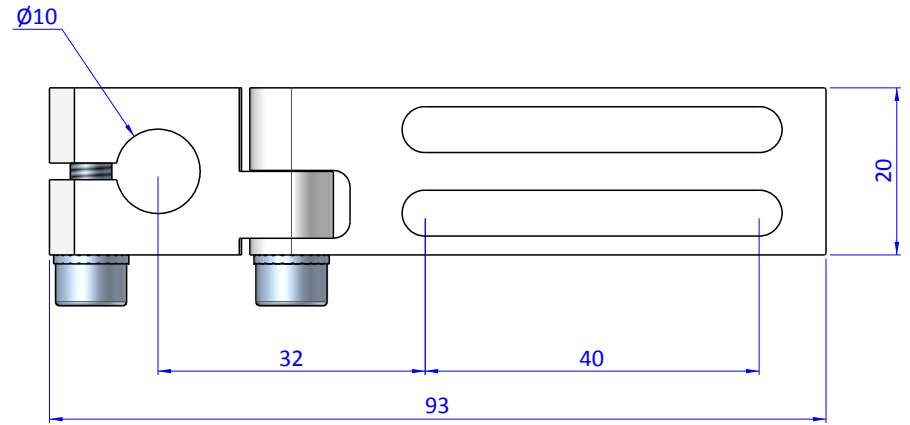
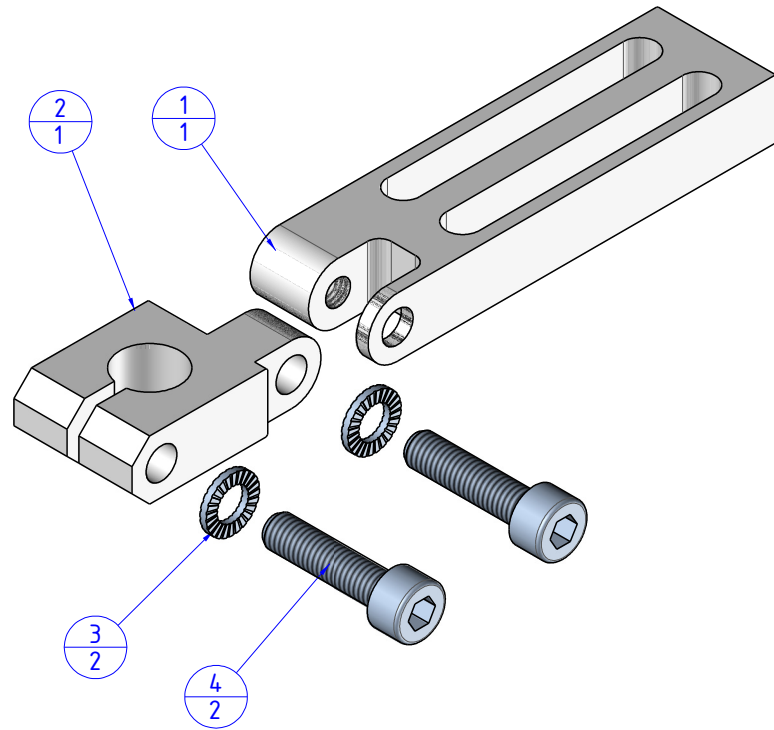


THE PROPERTY OF THE DRAWING IS ESTABLISHED BY LAW. IT IS FORBIDDEN TO PRODUCE OR SHOW IT TO THIRD PARTY, WITHOUT A WRITTEN AGREEMENT.

Item	Name	Q.ty
1	WSL.GA.10.1.SL	1
2	WSL.GA.10.2	1
3	R.5.SCH	2
4	V.TCE5x20	2



Format A3

UNI 936-76

FP SERVICES AUTOMATION		DESIGNED FROM FPSERVICES	REVIEW A
GENERAL TOLERANCE UNI - ISO 2768 CLASSE f	DESCRIPTION CA.WSL.GA.10	DATE 09/11/2018	WEIGHT 0,041kg
		CODE CA.WSL.GA.10	